

CREATE
YOUR STYLE with
CRYSTALLIZED™
– Swarovski Elements

DESIGN PROJECT
JUNIOR SPECIAL
CAT HAIR BAND



CAT HAIR BAND



CRYSTALLIZED™ – Swarovski Elements

Article	Product Group	Article No.	Amount	Size	Colour	Colour Code
	Sew-on Stones	3254	2 pcs.	20x9 mm	Olivine	228

Supplies & Tools

Supplies

- 10x20 cm Cotton, pink-white
- Dacron, white
- 0.5 m Embroidery thread, green
- 1.5 m Embroidery thread, white
- 1 Hair band, violet
- 1 m Nylon thread, transparent, Ø 0.15 mm
- Sewing silk, white

	Beads	5742	1 pc.	8 mm	Siam	208
---	-------	------	-------	------	------	-----

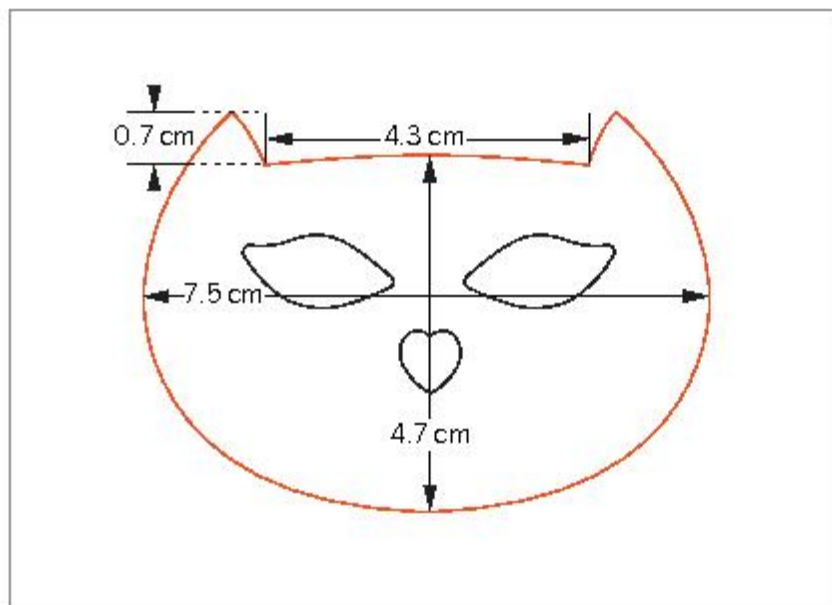
Tools

- Double sided sticky tape
- Embroidery needle
- Needle
- Pins
- Scissors
- Sewing machine
- 1 Sheet of paper, DIN A4
- Tweezers

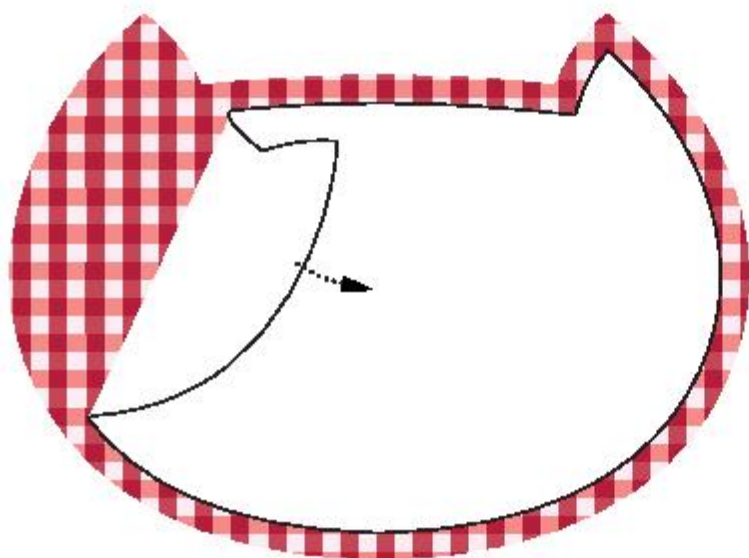
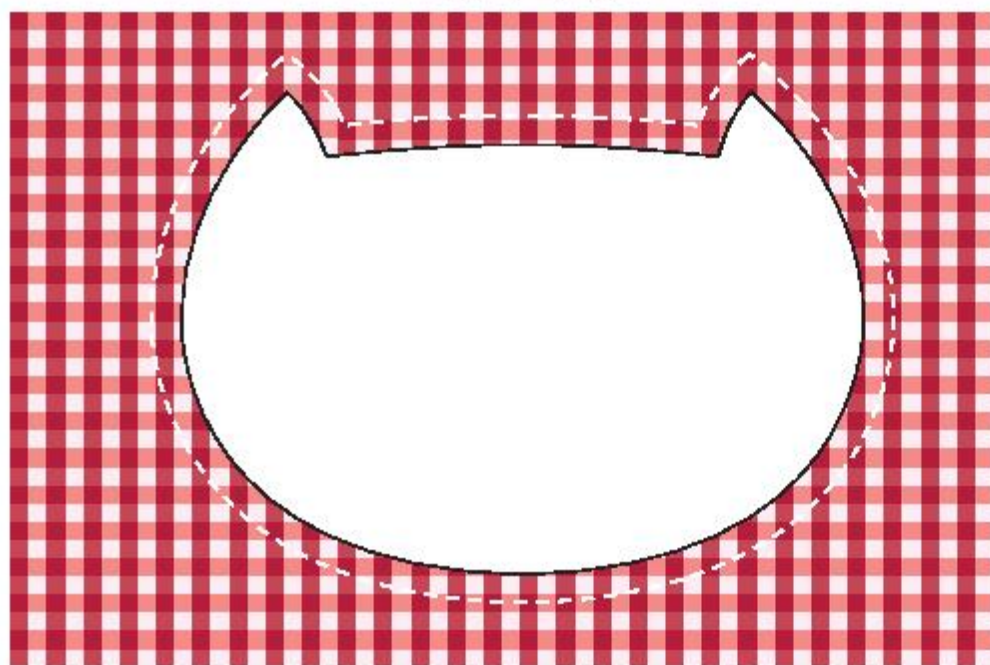
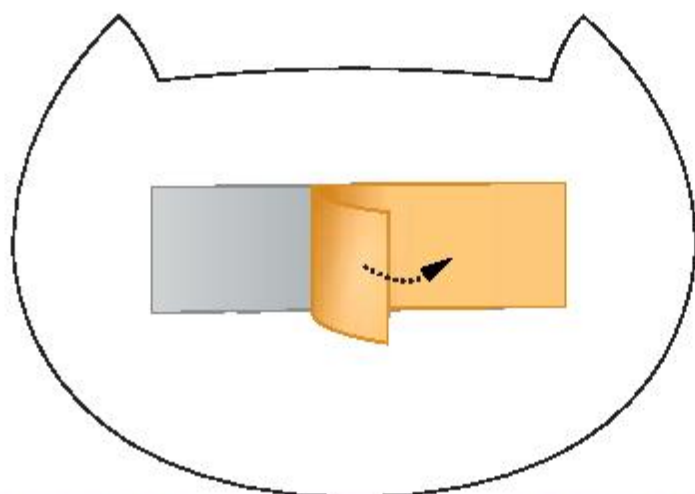
Level of design: BEGINNER

Have also a look at the **text instruction** at the last page!

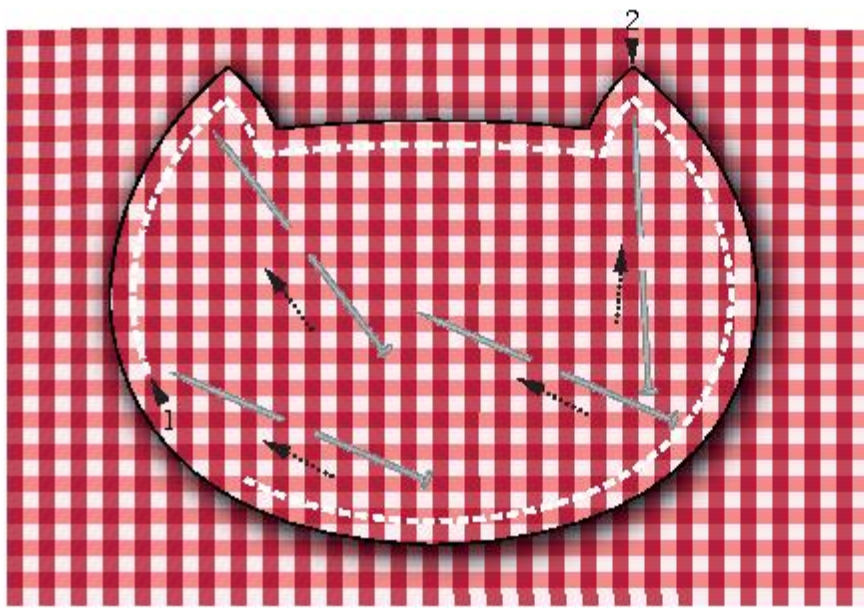
STEP 1



STEP 2



STEP 3

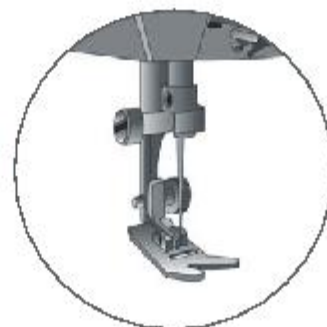
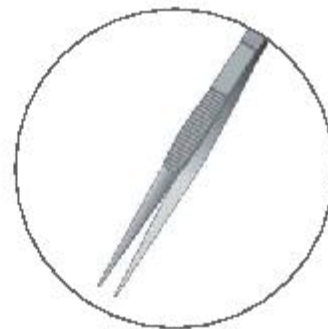


1

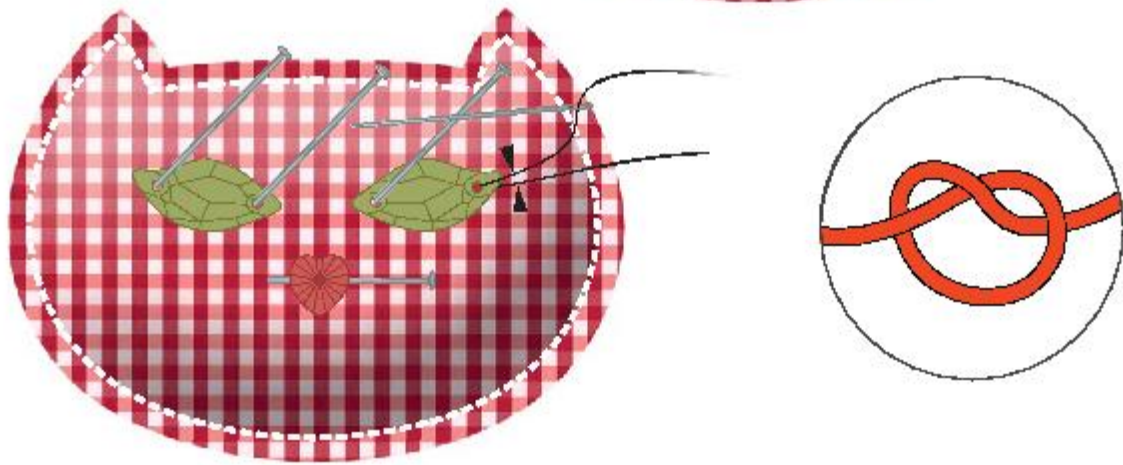
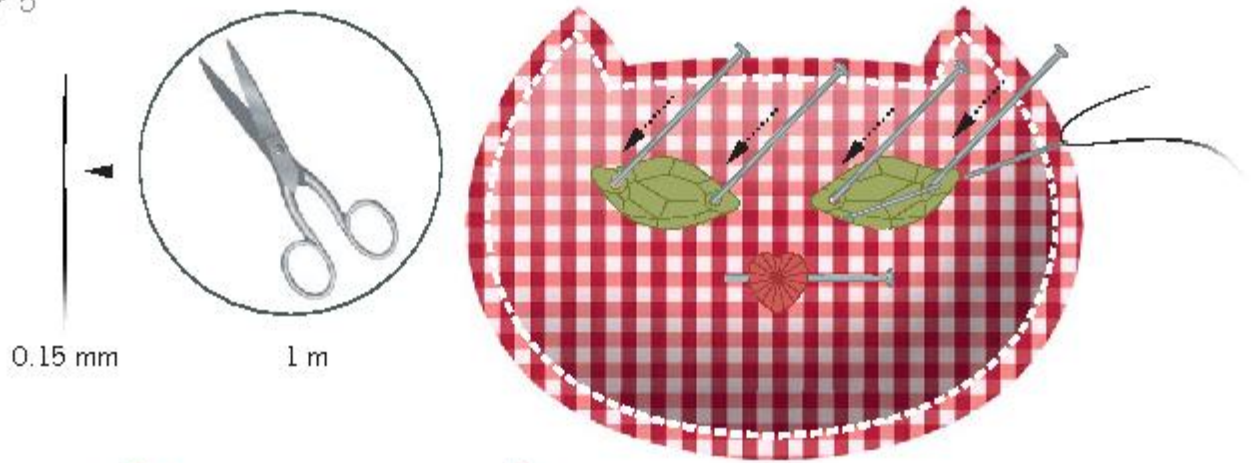


2

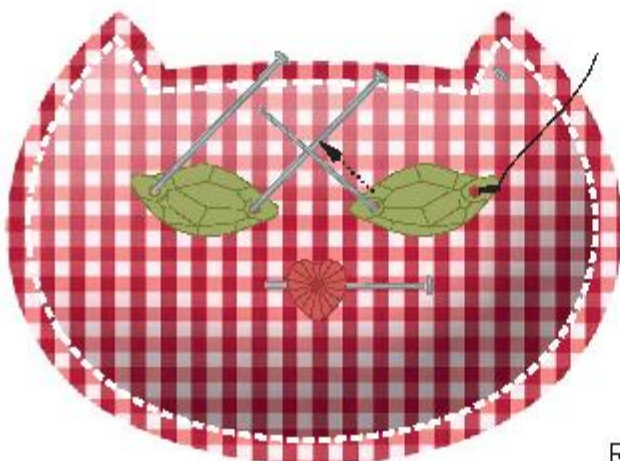
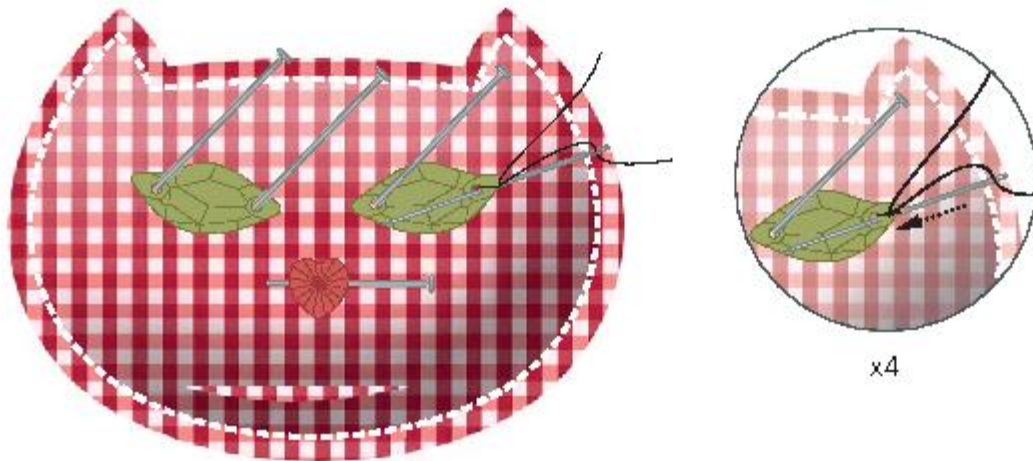
STEP 4



STEP 5

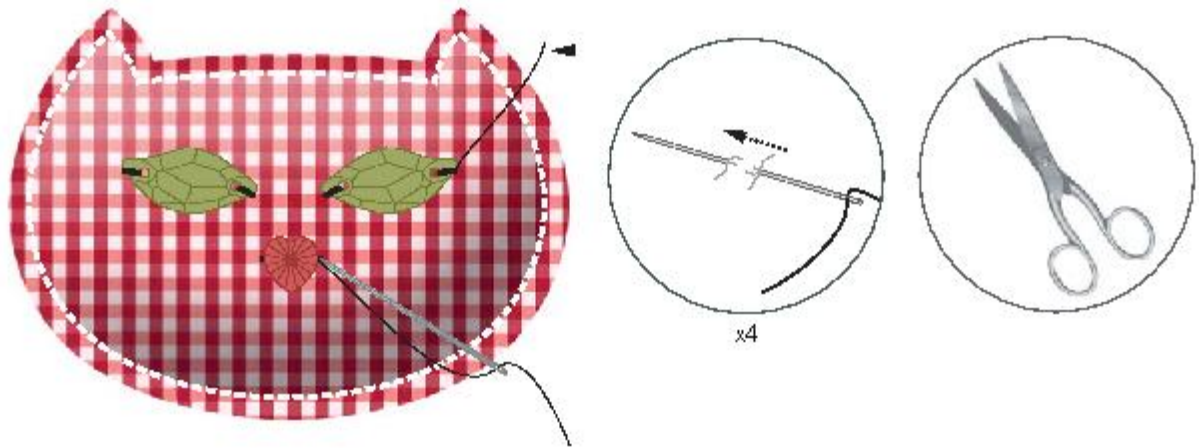


STEP 6

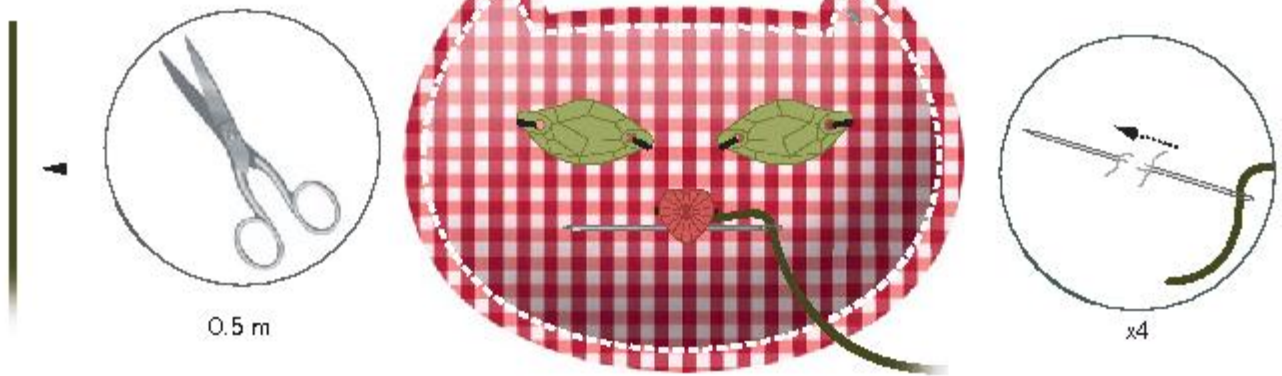


STEP 7

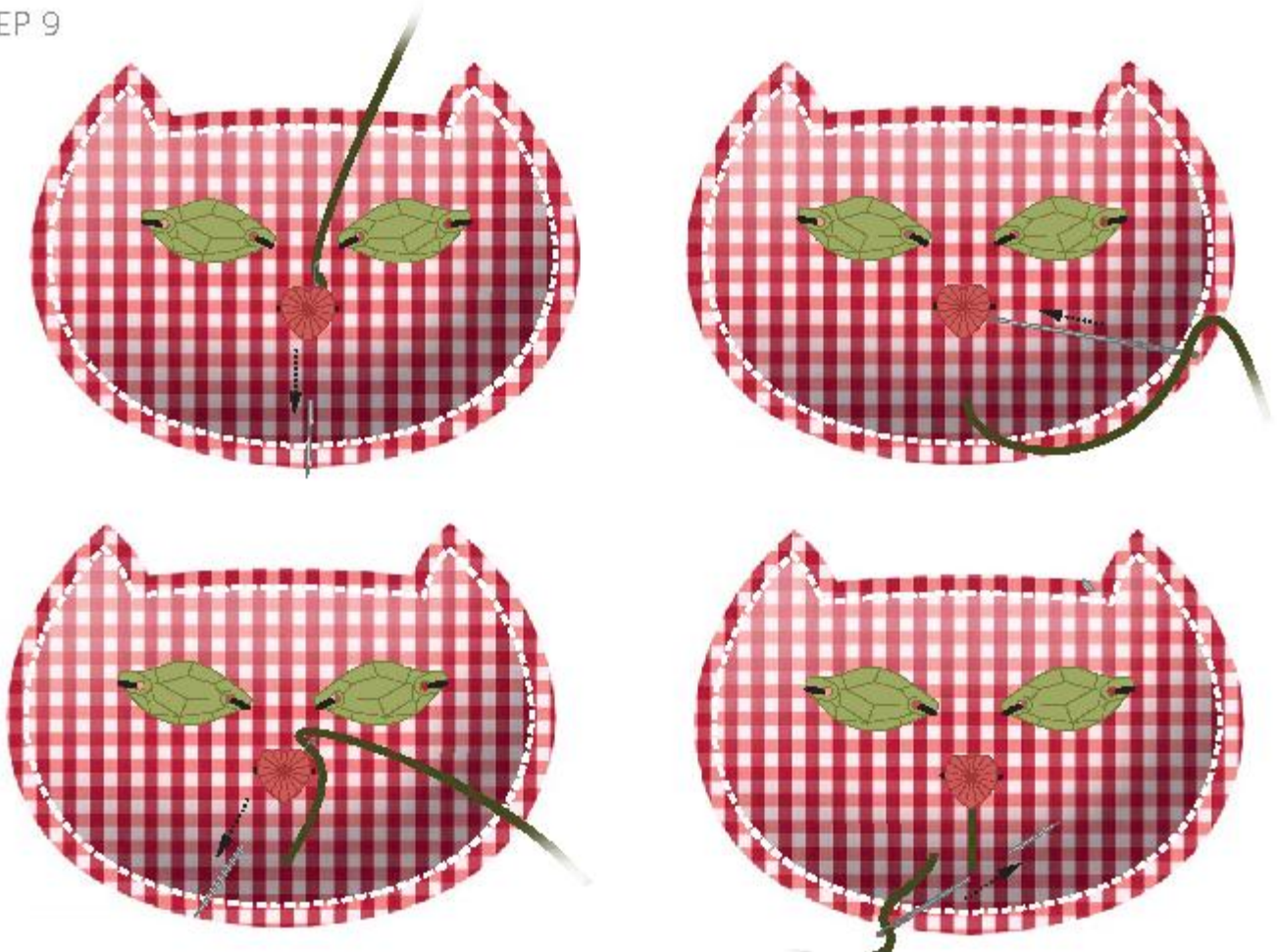
Repeat steps 6 x2:

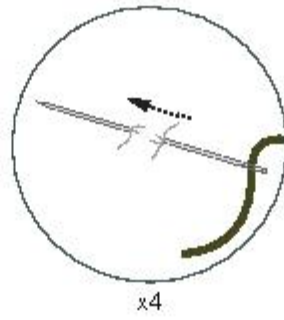


STEP 8



STEP 9

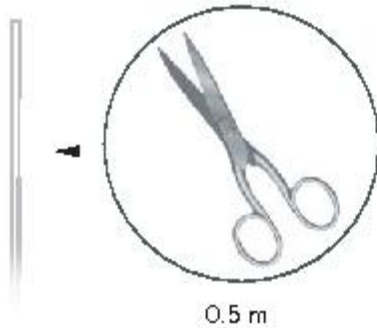




x4



STEP 10



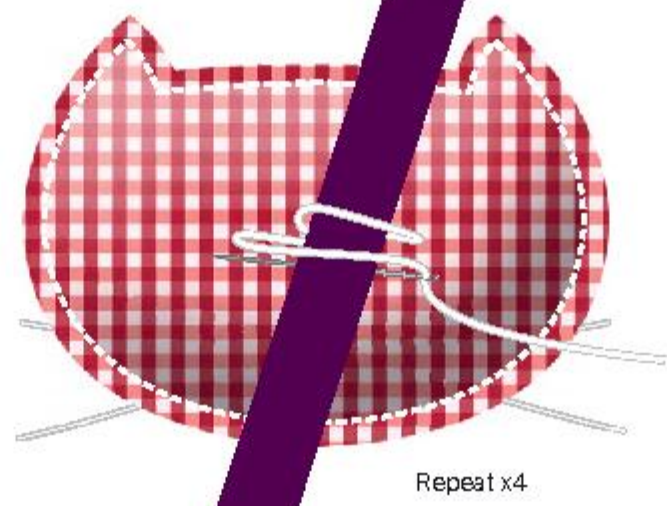
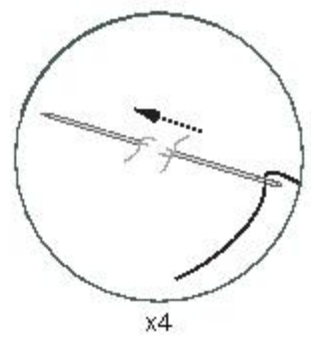
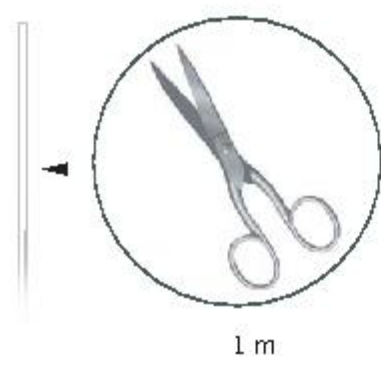
0.5 m



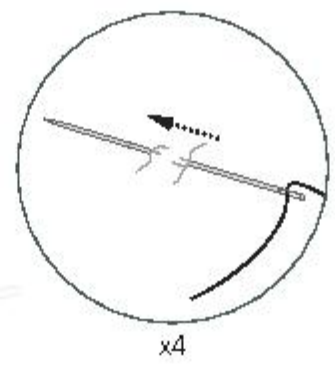
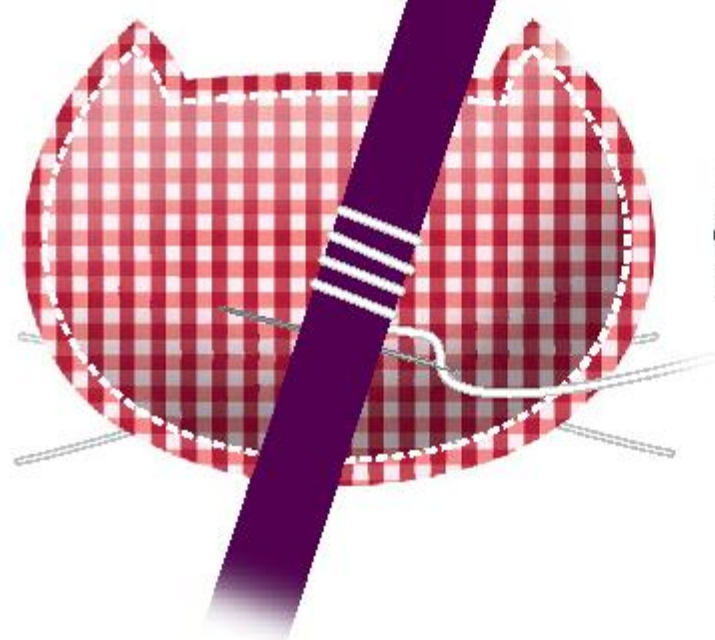
Repeat x2

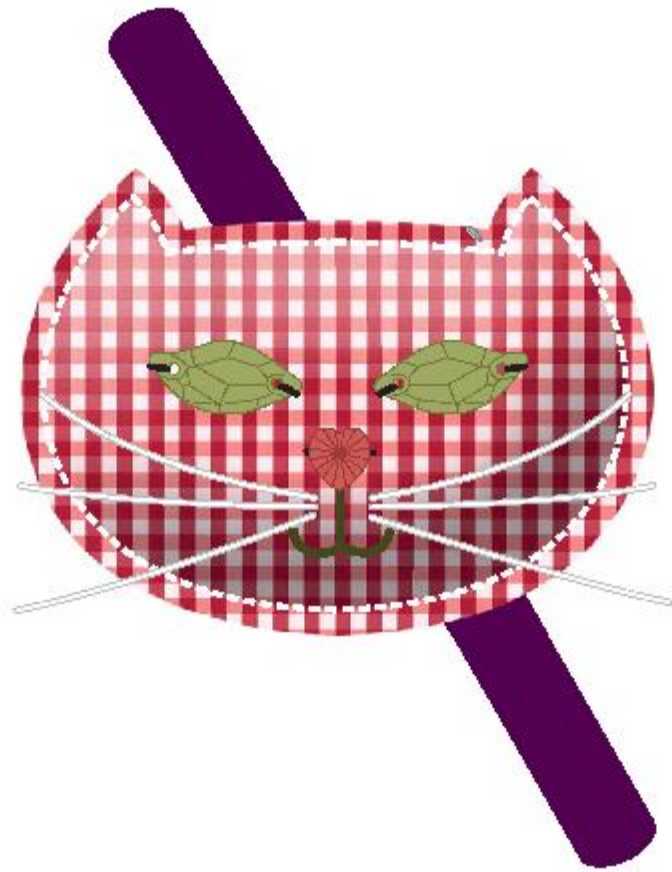


STEP 11



STEP 12





- STEP 1: Print pattern out and cut out cat's head along red outline.
- STEP 2: Stick pattern with some double sided sticky tape onto the cotton fabric and cut out making the pattern 3mm bigger than pattern out line (as white dotted line shows in illustration). Remove pattern from fabric.
- STEP 3: Lay the first cut out onto another piece of cotton fabric and cut out the second fabric piece. Attach the two pieces with pins and sew them together with a sewing machine using the white sewing silk. Leave a small space that is not sewn as you see in illustration.
- STEP 4: Fill the head with some Dacron using tweezers. Sew the opening closed and cut off threads.
- STEP 5: Cut 1 m of 0.15mm nylon thread. Attach the CRYSTALLIZED™ Sew-on Stones with some pins onto cat's head as you see in pattern. Sew the nylon thread once through fabric and the through the first hole of Sew-on Stone and knot both nylon thread ends afterwards.
- STEP 6: Sew through the same hole four times, then stitch to next hole and repeat to attach the first CRYSTALLIZED™ Sew-on Stone.
- STEP 7: Repeat step 6 twice to attach second Sew-on Stone and CRYSTALLIZED™ Heart Bead. Make 4 back stitches to attach the nylon thread and cut off both thread ends.
- STEP 8: Cut 0.5 m of green embroidery thread and fix thread with 4 back stitches which are hidden under CRYSTALLIZED™ Heart Bead.
- STEP 9: Embroider as you see in illustration and attach the thread at the end with some back stitches and cut off thread ends.
- STEP 10: Cut 0.5 m of white embroidery thread and make a stitch to form whiskers. Cut off thread after stitch and repeat to get three whiskers on each side.
- STEP 11: Cut 1 m of white embroidery thread and fix thread with 4 back stitches on back side of cat's head and wrap thread five times around headband.
- STEP 12: Finish with 4 back stitches as you see in the illustration and cut off remaining thread.