

CREATE  
YOUR STYLE with  
CRYSTALLIZED™  
- Swarovski Elements

# MUFFLED TWINKLE RINGS



# MUFFLED TWINKLE RINGS



## CRYSTALLIZED™ – Swarovski Elements

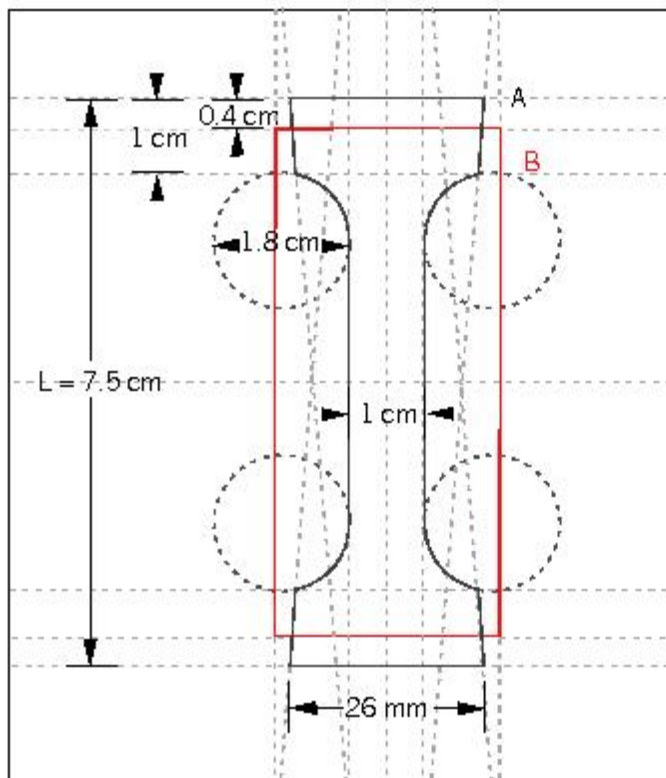
| Article | Product Group | Article No. | Amount  | Size     | Colour               | Colour Code |
|---------|---------------|-------------|---------|----------|----------------------|-------------|
|         | Fancy Stones  | 4120        | 1 pc.   | 18x13 mm | Light Amethyst       | 212         |
|         | Beads         | 5000        | 30 pcs. | 2 mm     | Light Colorado Topaz | 245         |

## Supplies & Tools

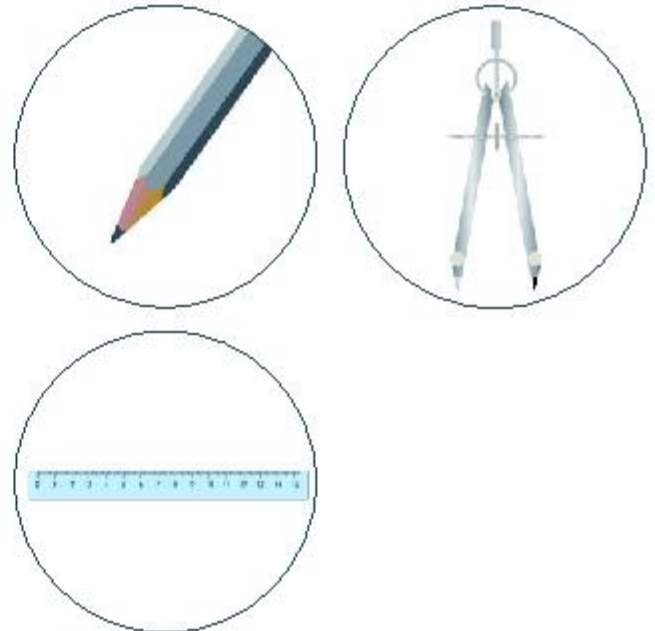
**Supplies**  
 90x70 mm leather dark brown  
 leather glue  
 thread dark brown  
 nylon thread Ø 0.3 mm transparent  
 nylon thread Ø 0.15 mm transparent  
 paper

**Tools**  
 compass  
 leather needle Ø 0.8 mm  
 lighter  
 pencil  
 ruler  
 scissors

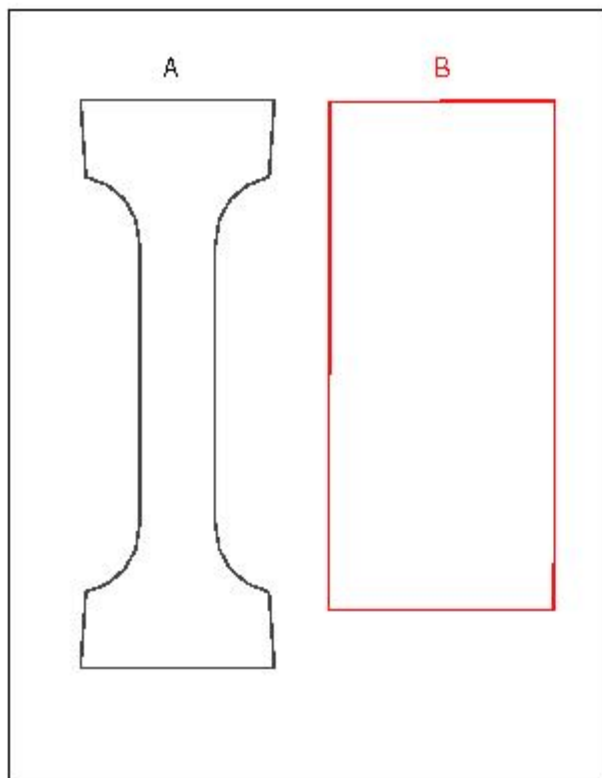
## STEP 1



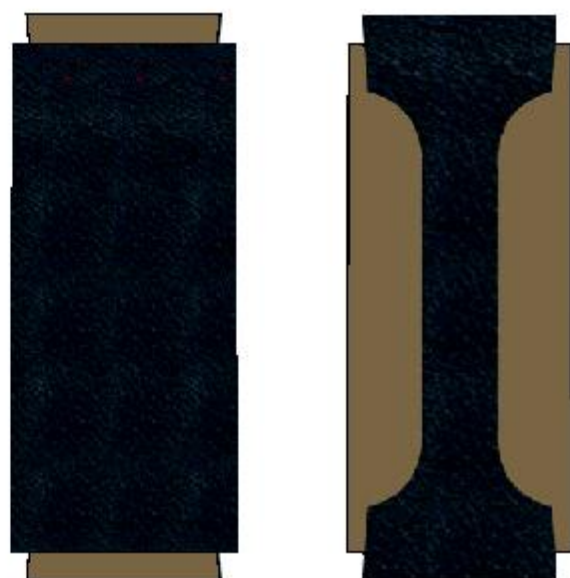
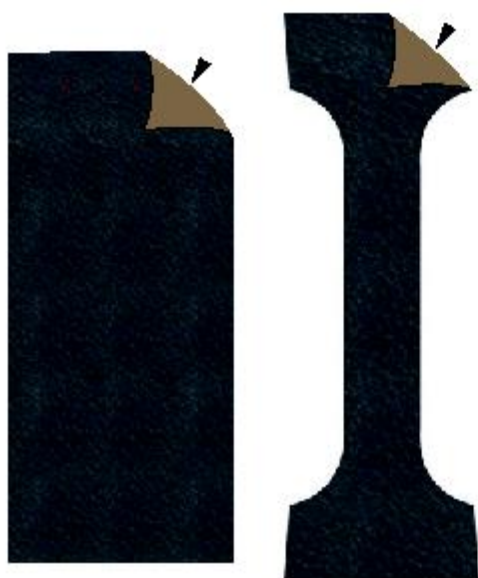
L = 7.5 cm  
 M = 7.2 - 7.3 cm  
 S = 7.1 - 7.0 cm



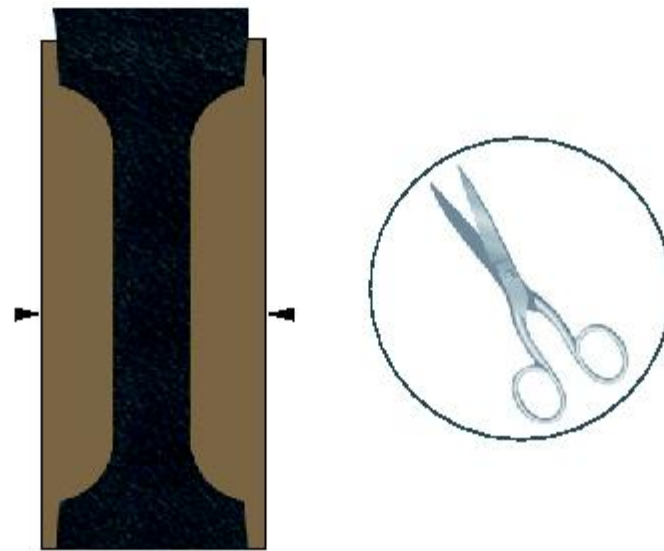
STEP 2



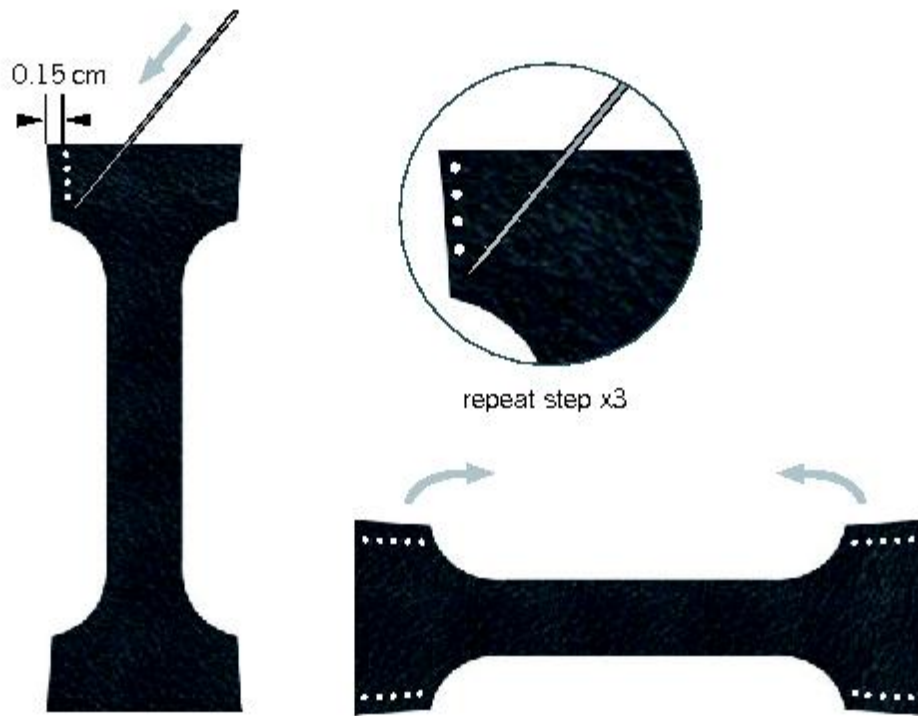
STEP 3



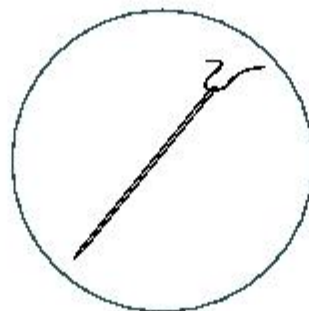
STEP 4



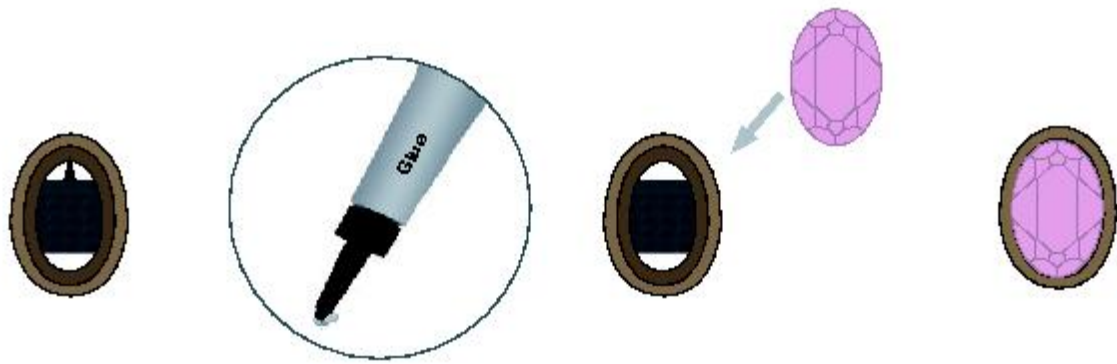
STEP 5



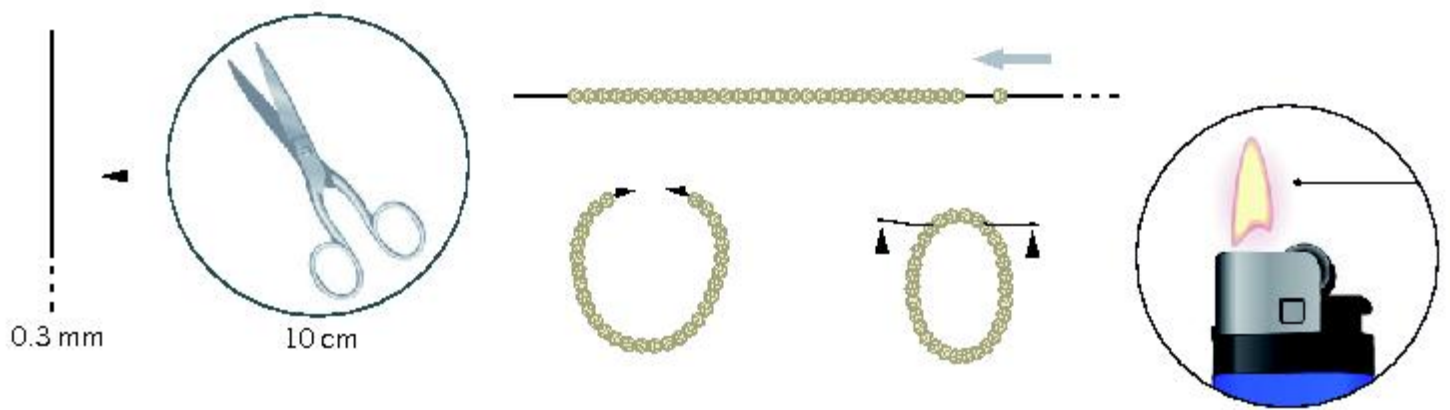
repeat x1



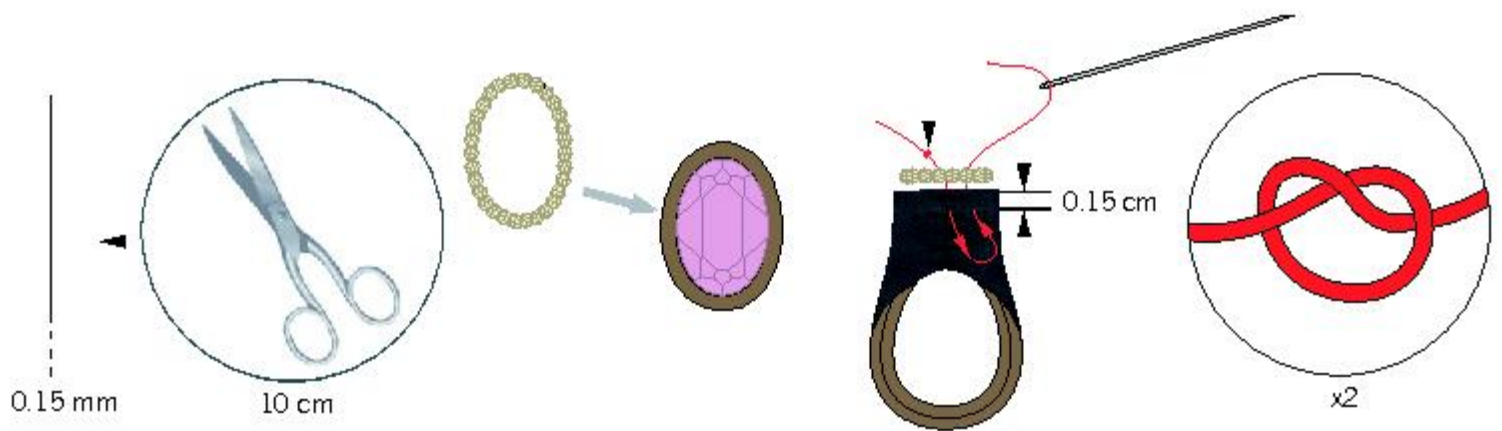
STEP 6

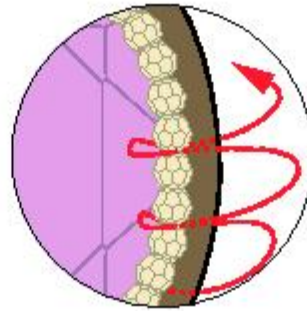
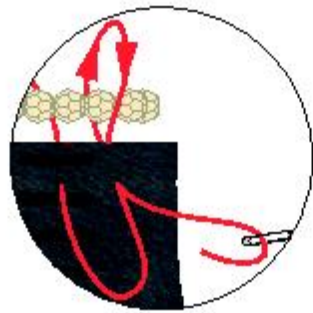


STEP 7



STEP 8





repeat x14

